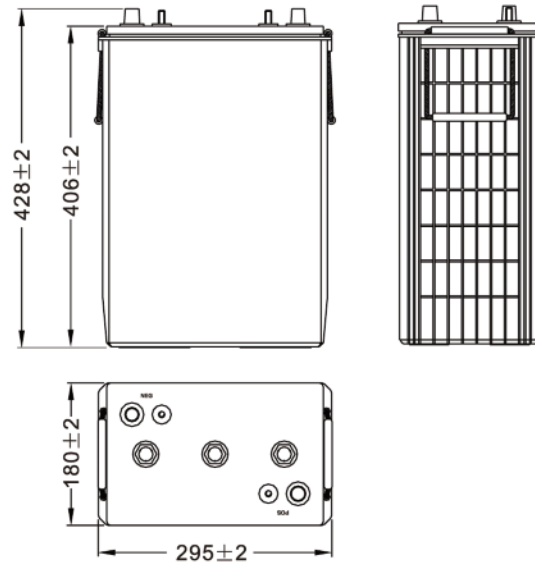




US AGM L16



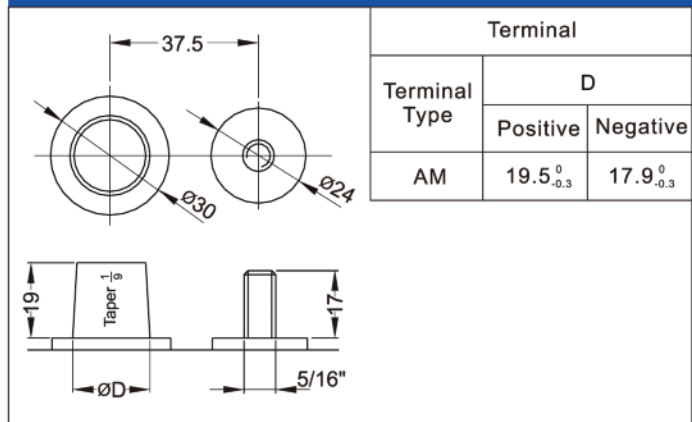
Dimensions (mm)



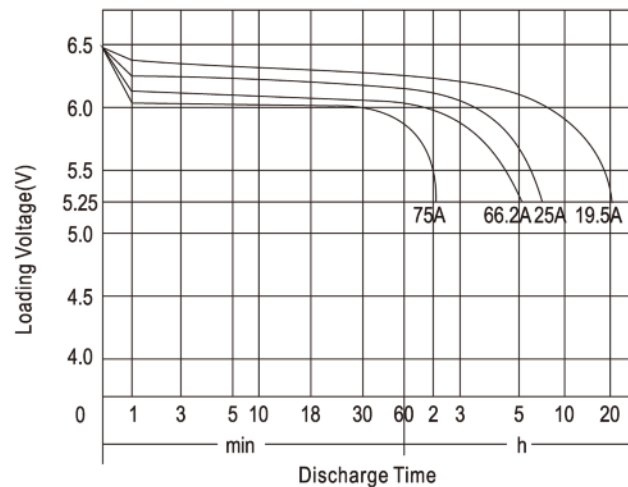
Physical Specification (mm)

Nominal Voltage	6V	
Nominal Capacity(20HR)	390Ah	
Nominal Capacity(5HR)	331Ah	
Dimension	Length	295±2mm(11.61inches)
	Width	180±2mm(7.09inches)
	Container Height	406±2mm(15.98inches)
	Total Height(with Terminal)	428±2mm(11.42inches)
Dry Weight	/	
Wet Weight	Approx 55.7Kg(122.7lbs)	
Acid	1.310±0.015g/cm ³ (25°C)	
Standard Terminal	AM	
Hold-Down	/	
Cell plate qty	/	
Case	Gold	
Cover	Gold	
Handle	Black-Material	

Standard Terminal (mm)



Discharge Characteristics(25°C,70°F)



Electrical Specification

Rated Capacity	20 hour rate(19.5A)	390Ah
	5 hour rate(66.2A)	331Ah
Reserve Capacity	25Amps	915min
Reserve Capacity	75Amps	255min