

ROOFMOUNT



ROOFMOUNT introduces the Power of Simplicity to the ballasted flat roof solar industry. The system consists of only two major components, minimizing preparation work and installation time. Seamlessly design around roof obstacles, support most framed modules and bond the system with just the turn of a wrench.



SIMPLE DESIGN • FAST INSTALLATION

SIMPLE DESIGN • AVAILABILITY • DESIGN TOOLS • QUALITY PROVIDER

ROOFMOUNT



SIMPLE DESIGN

TWO MAJOR COMPONENTS. ONE TOOL

RM supports most framed PV modules at 10 degree tilt. The component list consists of only two major components - a fully assembled ballast bay and a universal module clip. Our engineers specified a chemical locking hex bolt, providing a UL2703 certified grounding path from module to ballast bay, with just the turn of a wrench. RM is accessory-rich to support your specific installation needs, because it was designed to conveniently work with off the shelf wire management products. A snap into place, membrane-friendly, rubber roof pad is also available as a low-cost option for roof protection.

AVAILABILITY

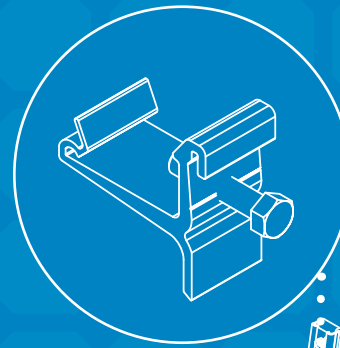
NATIONWIDE NETWORK

Unirac maintains the largest network of stocking distributors for our racking solutions. Our partners have distinguished their level of customer support, availability, and overall value, thereby providing the highest level of service to users of Unirac products. Count on our partners for fast and accurate delivery to meet your project needs. Visit Unirac.com for a list of distributors.

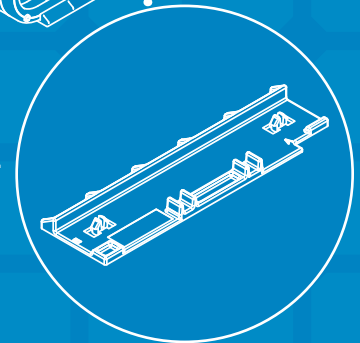
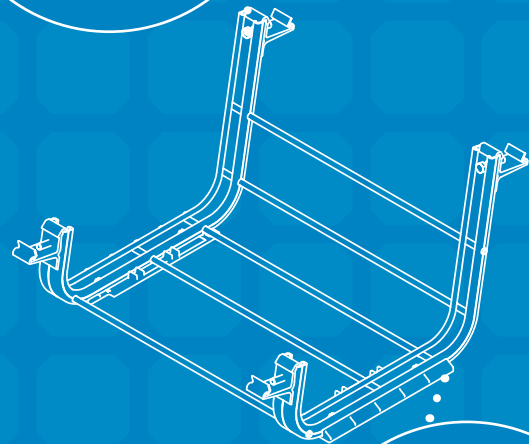
INTEGRATED DESIGN TOOLS

DESIGN, SAVE, AND SHARE YOUR ARRAY VISUALLY

U-Builder is the most powerful streamlined design tool for your solar mounting project. Integrated with HelioScope's technology, U-Builder becomes a powerful online tool that streamlines the process of designing a code compliant solar mounting system. Key benefits allow you to quickly plan project sites, analyze design decisions, and simplify your workflow. You will enjoy the ability to share projects with customers; there's no need to print results and send to a distributor, just click and share.



INTEGRATED BONDING CLIP



OPTIONAL ROOF PAD

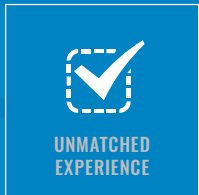


LISTED

UL2703

BONDING & GROUNDING
MECHANICAL LOADING
SYSTEM FIRE CLASSIFICATION

UNIRAC CUSTOMER SERVICE MEANS THE HIGHEST LEVEL OF PRODUCT SUPPORT



TECHNICAL SUPPORT

Unirac's technical support team is dedicated to answering questions & addressing issues in real time. An online library of documents including engineering reports, stamped letters and technical data sheets greatly simplifies your permitting and project planning process.

CERTIFIED QUALITY PROVIDER

Unirac is the only PV mounting vendor with ISO certifications for 9001:2008, 14001:2004 and OHSAS 18001:2007, which means we deliver the highest standards for fit, form, and function. These certifications demonstrate our excellence and commitment to first class business practices.

BANKABLE WARRANTY

Don't leave your project to chance, Unirac has the financial strength to back our products and reduce your risk. Have peace of mind knowing you are receiving products of exceptional quality. ROOFMOUNT is covered by a 20-year manufacturing warranty on all parts.

PROTECT YOUR REPUTATION WITH QUALITY RACKING SOLUTIONS BACKED BY ENGINEERING EXCELLENCE AND A SUPERIOR SUPPLY CHAIN