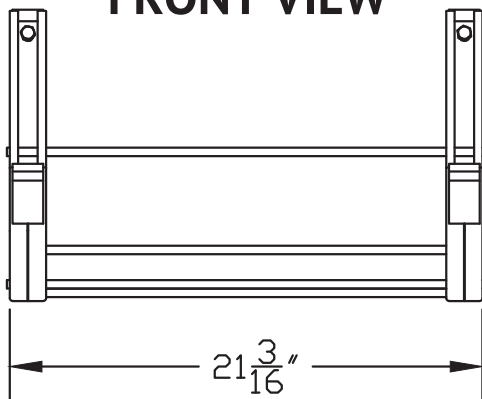
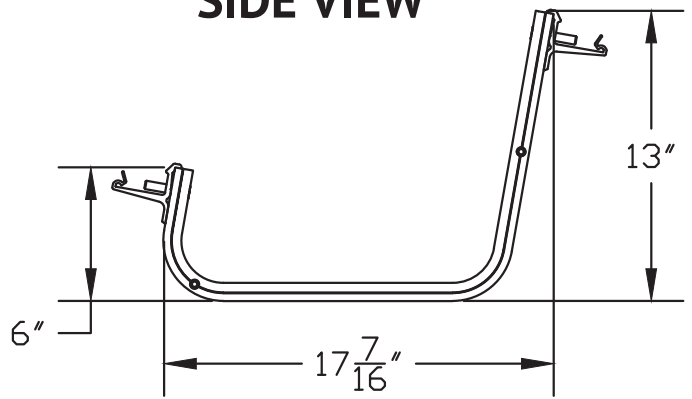


FRONT VIEW



SIDE VIEW



1411 BROADWAY BLVD NE
ALBUQUERQUE, NM 87102 USA

WWW.UNIRAC.COM

PRODUCT LINE: RM

DRAWING TYPE: COMPONENT ASSEMBLY

DESCRIPTION: BAY & MODULE CLIPS

REVISION DATE: APRIL - 2016

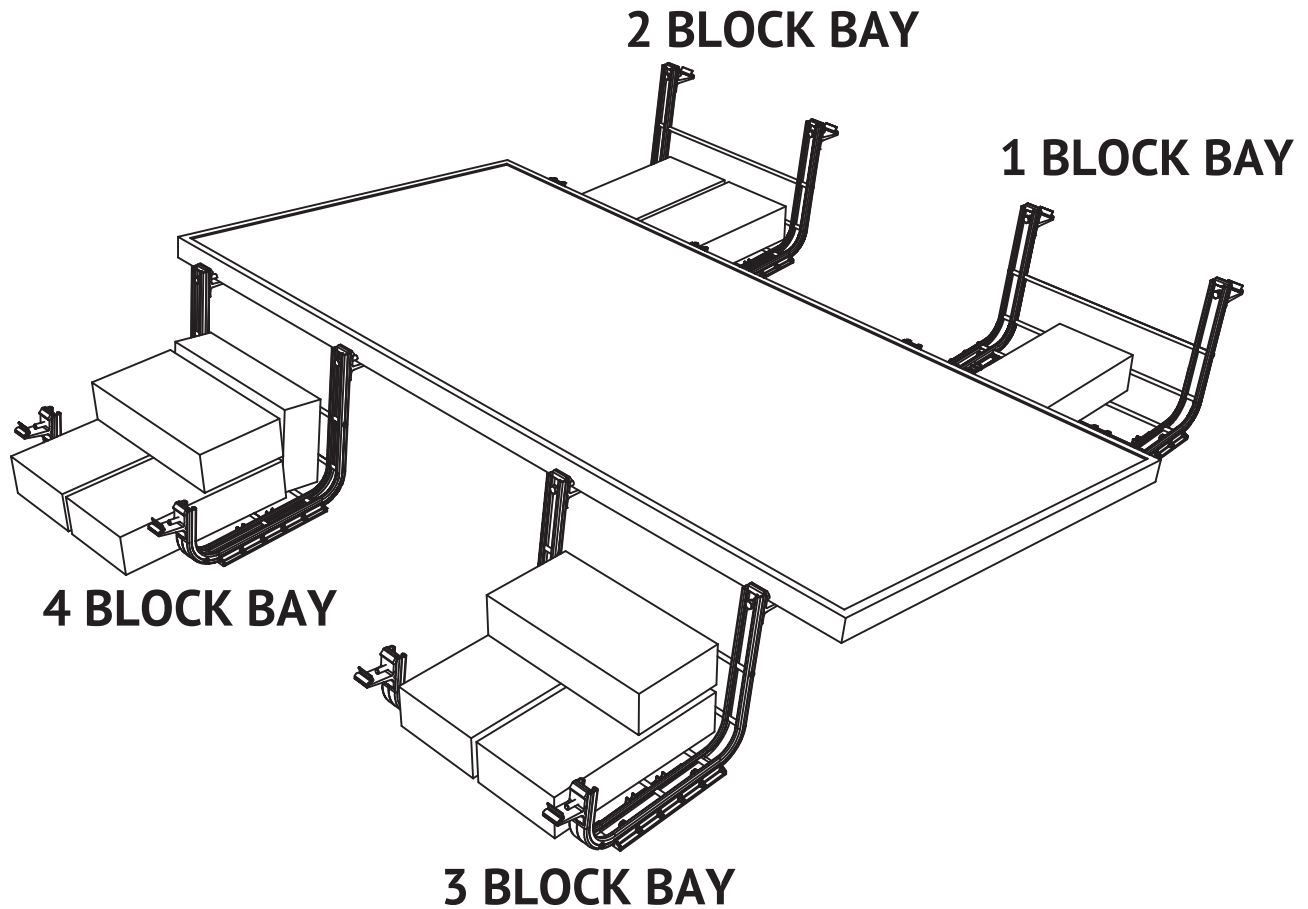
DRAWING NOT TO SCALE
ALL DIMENSIONS ARE NOMINAL

PRODUCT PROTECTED BY ONE
OR MORE US PATENTS

LEGAL NOTICE

RM-A01

SHEET



1411 BROADWAY BLVD NE
ALBUQUERQUE, NM 87102 USA

WWW.UNIRAC.COM

PRODUCT LINE:	RM
DRAWING TYPE:	ASSEMBLY
DESCRIPTION:	1-2-3-4 BLOCK RM BAYS
REVISION DATE:	APRIL - 2016

DRAWING NOT TO SCALE
ALL DIMENSIONS ARE NOMINAL

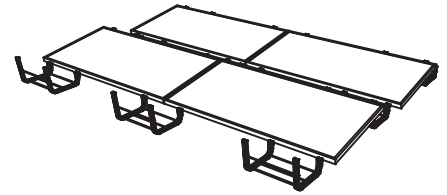
PRODUCT PROTECTED BY ONE
OR MORE US PATENTS

LEGAL NOTICE

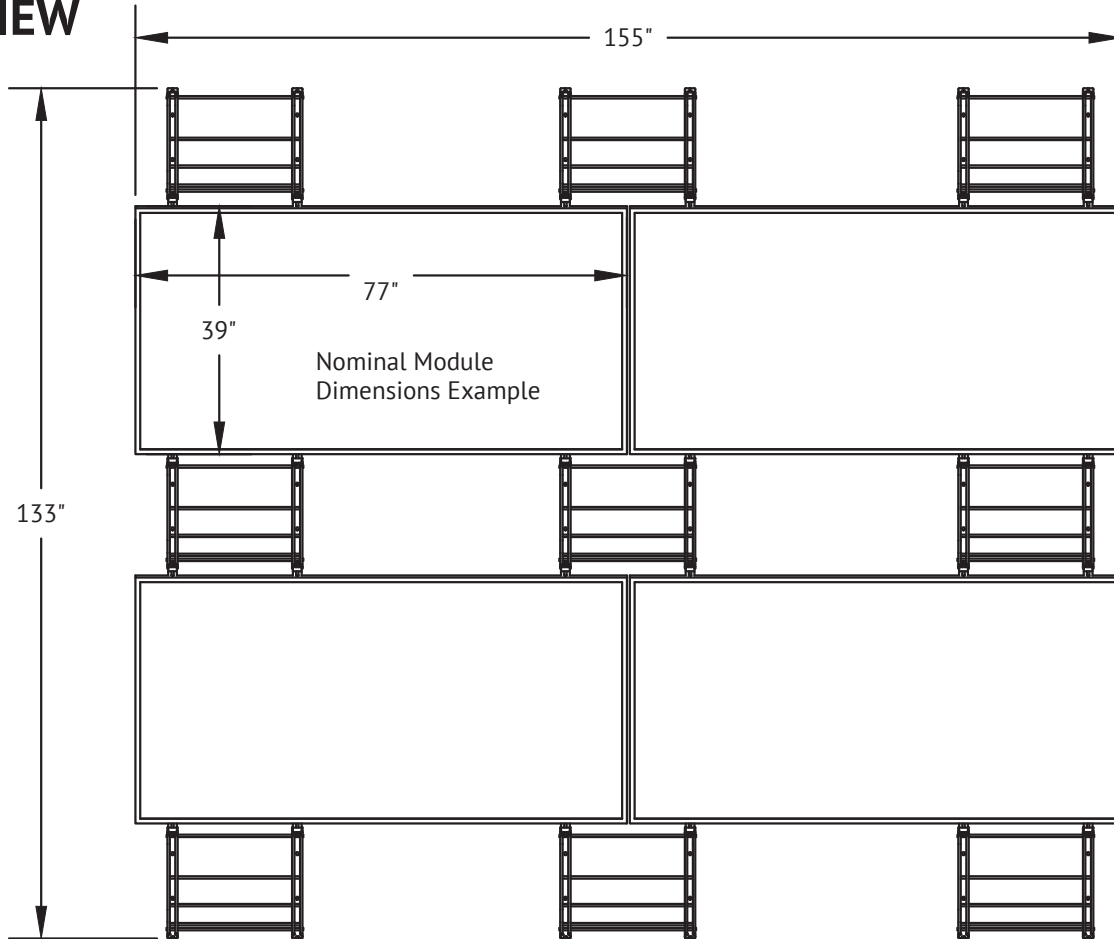
RM-A02

SHEET

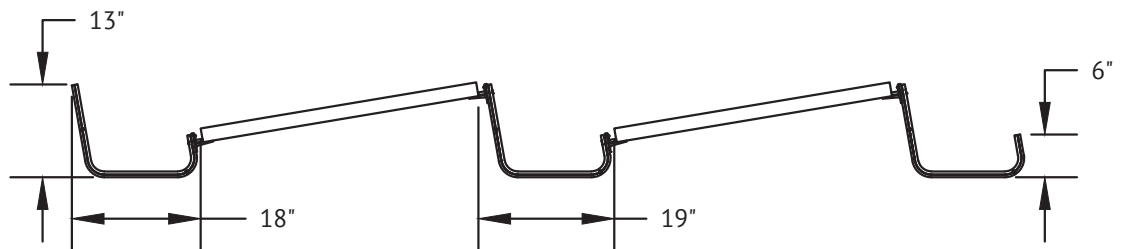
NOTE: ARRAY DIMENSIONS WILL VARY BASED ON
MODULE WIDTH, LENGTH AND RETURN FLANGE



TOP VIEW



SIDE VIEW



1411 BROADWAY BLVD NE
ALBUQUERQUE, NM 87102 USA

WWW.UNIRAC.COM

PRODUCT LINE:	RM
DRAWING TYPE:	ASSEMBLY
DESCRIPTION:	4 MODULE RM LAYOUT
REVISION DATE:	APRIL - 2016

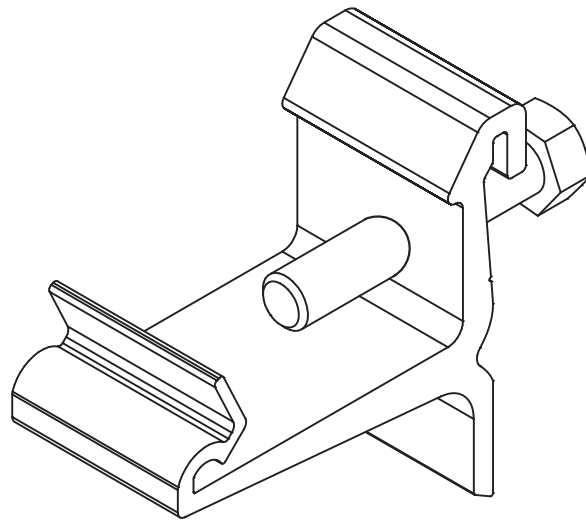
DRAWING NOT TO SCALE
ALL DIMENSIONS ARE NOMINAL

PRODUCT PROTECTED BY ONE
OR MORE US PATENTS

LEGAL NOTICE

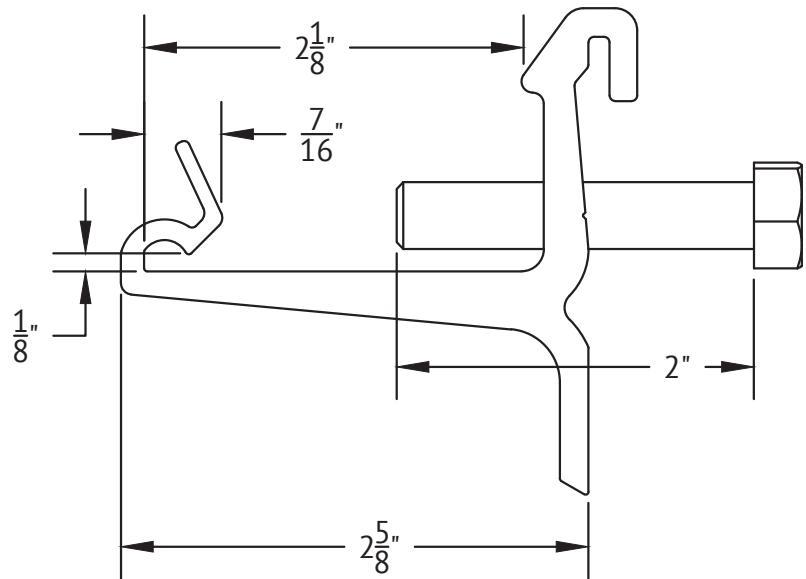
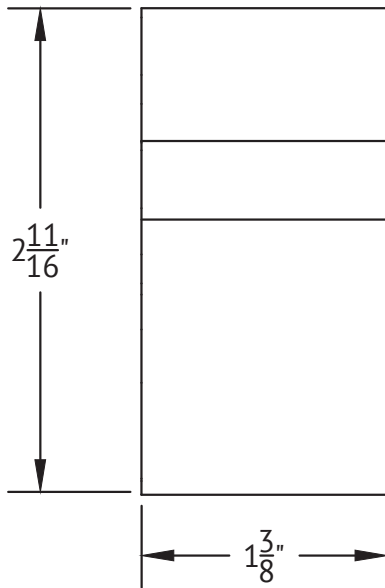
RM-A03

SHEET



FRONT VIEW

SIDE VIEW



1411 BROADWAY BLVD NE
ALBUQUERQUE, NM 87102 USA

WWW.UNIRAC.COM

PRODUCT LINE:

RM

DRAWING TYPE:

PART

DESCRIPTION:

RM CLIP & BOLT

REVISION DATE:

APRIL - 2016

DRAWING NOT TO SCALE
ALL DIMENSIONS ARE NOMINAL

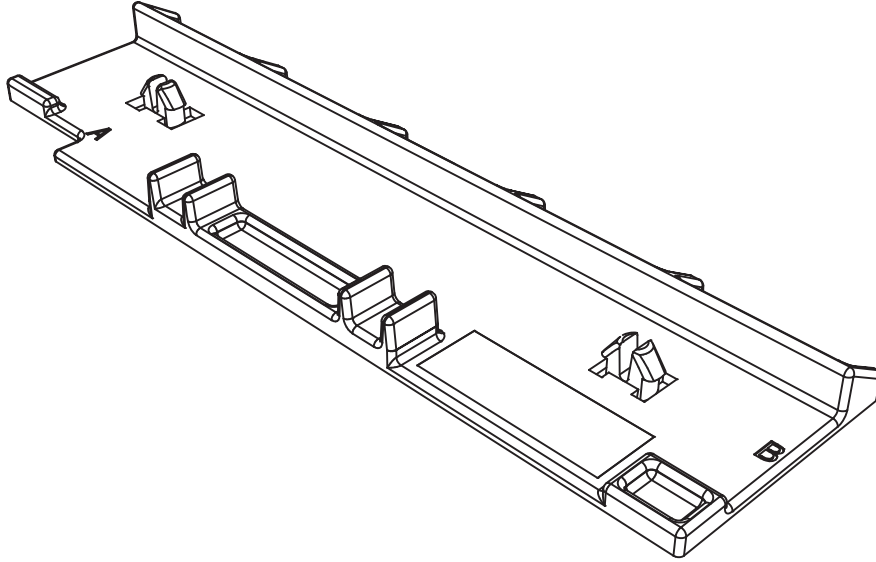
PRODUCT PROTECTED BY ONE
OR MORE US PATENTS

LEGAL NOTICE

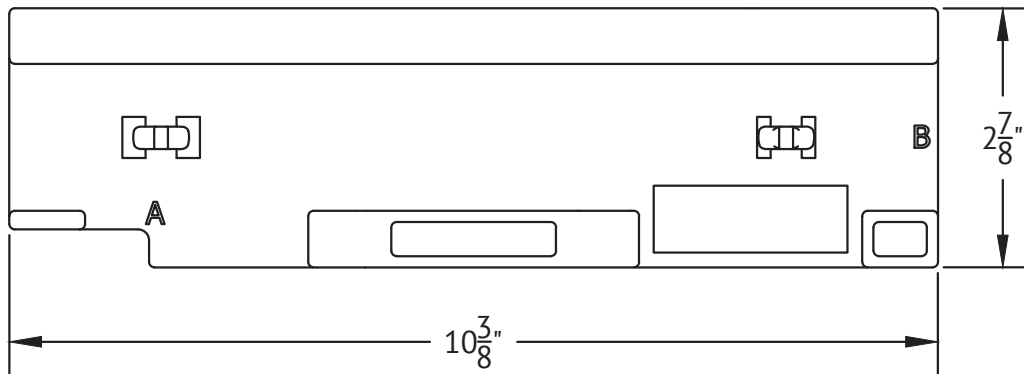
RM-P01

SHEET

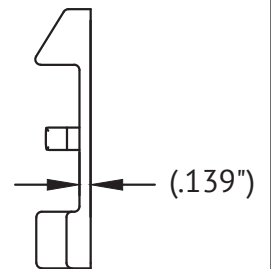
Material: TPE 70 Shore A: Santoprene 201-73,
 Elastocon 2870 or Unisoft TPE ST-70A BK-2-01.
 Color: Black



TOP VIEW



SIDE VIEW



1411 BROADWAY BLVD NE
 ALBUQUERQUE, NM 87102 USA

WWW.UNIRAC.COM

PRODUCT LINE:	RM
DRAWING TYPE:	PART
DESCRIPTION:	RM FOOT PAD
REVISION DATE:	APRIL - 2016

DRAWING NOT TO SCALE
 ALL DIMENSIONS ARE NOMINAL

PRODUCT PROTECTED BY ONE
 OR MORE US PATENTS

LEGAL NOTICE

RM-P02
 SHEET