

# S-5!<sup>®</sup>

## The Right Way!

### S-5-PV Kit



The concept of combining photovoltaic arrays with standing seam metal roofing is growing—and for good reasons. A standing seam metal roof has a life expectancy consistent with that of framed PV modules. A 30-year power source on a 40-year roof, along with zero-penetration technology creates the most sustainable roof system available with alternative power generation, all without compromising the roof's warranty!

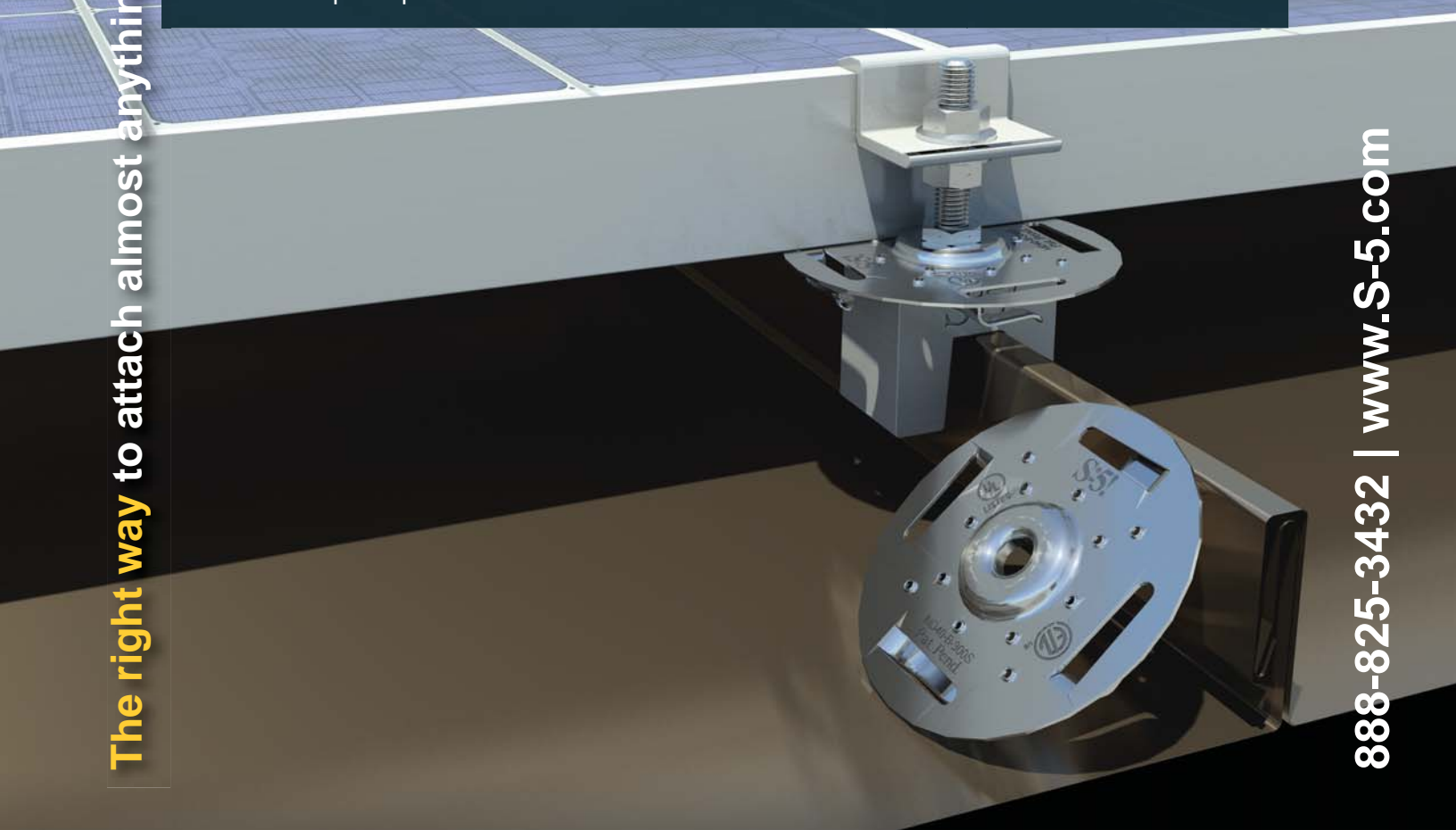
The new S-5-PV Kit boasts an important breakthrough in PV mounting technology. It is one of the first solar module mounting solutions in the industry to be listed to the new UL subject 2703, a standard that covers both bonding and mounting. Furthermore, the S-5-PV Kit has gained an ETL Listing to UL 1703.

The S-5-PV Kit features a groundbreaking new stainless steel mounting disk with twelve nodes designed to ensure the module-to-module conductivity of anodized aluminum module frames. This means the module is simply anchored with the kit and is automatically bonded. No lugs or wire required except to connect one string of modules to another and to ground the system. This connection detail represents installed electrical cost savings of \$6-\$12 per unit. In most cases, the savings in time and materials is sufficient to pay for the entire S-5-PV Kit and clamp setup.

The right way to attach almost anything to metal roofs!

S-5-PV Kit

888-825-3432 | [www.S-5.com](http://www.S-5.com)



# S-5!<sup>®</sup>

The Right Way!

The S-5-PV Kit is a revolutionary new solution to attach solar PV panels to standing seam metal roofs!

The **S-5-PV Kits** are furnished with the hardware shown at right, excluding the attachment clamp, which is supplied separately. Additional nuts will need to be ordered for use on end applications. S-5-PV Kits are compatible with most common metal roofing materials, including brass. Providing flexibility, S-5! offers one kit to accommodate all PV frame thicknesses from 1.3" (33 mm) to 2.5" (64 mm).

The embossed panel guide makes the module placement easier. The mounting disk is multi-directional and rails are not required. Flat mounting disks are available for use with the S-5! VersaBracket for exposed-fastened trapezoidal profiles.

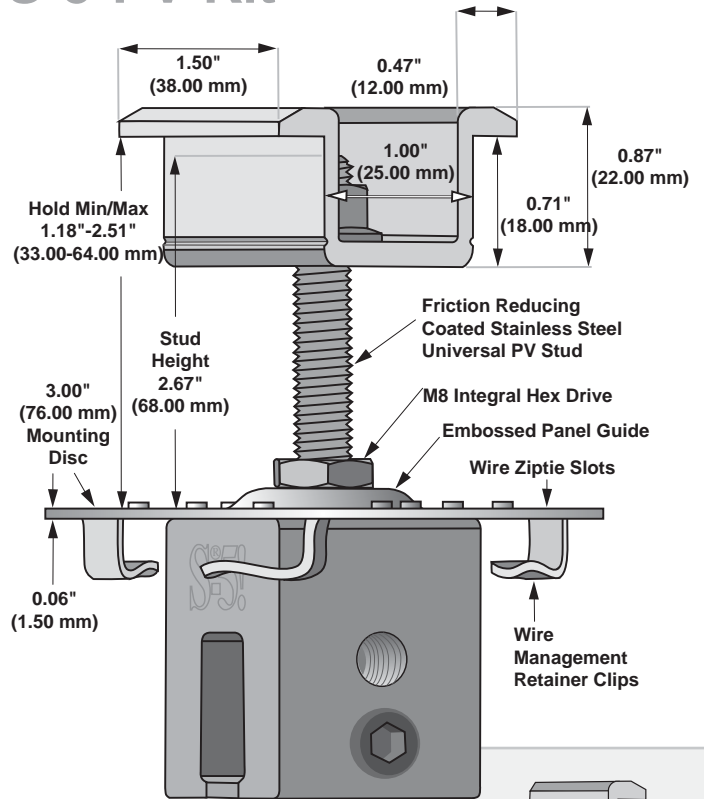
Four strategically placed under-disk hooks assist in wire management. The PV grab ears that hold the solar panel in place are broader to allow for ease of installation and precise module engagement.

The S-5-PV Kit fits the majority of solar panels on the market. Using the S-5! mini clamps, it also fits the majority of metal roofs on the market, including exposed fastened and corrugated. It is designed to universally fit both field (two adjacent panels) and end conditions.

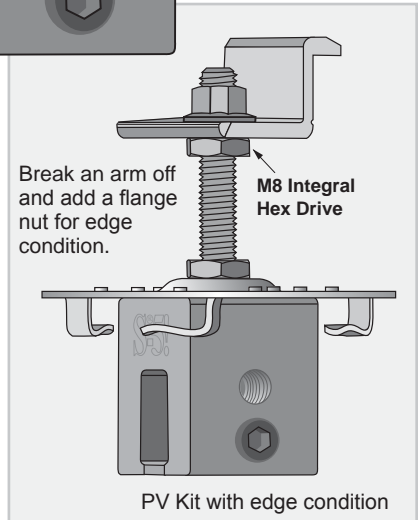
The S-5-PV Kit continues to be the easiest, most cost-effective way to install solar panels directly to standing seam metal roofs, remaining the most popular choice worldwide.

Wind dynamics are complex, thus, each system should be reviewed by a qualified licensed professional who understands wind effects on metal roof design and construction prior to purchase and installation. For more detailed information including specifications, installation instructions and CAD drawings, visit [www.S-5.com](http://www.S-5.com) or your S-5-PV Kit distributor.

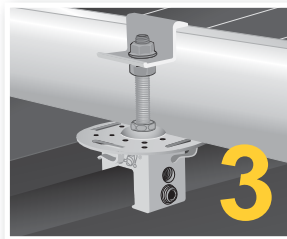
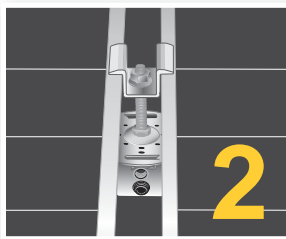
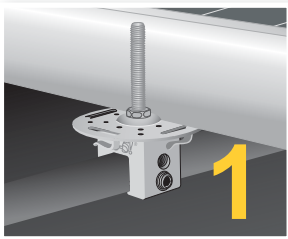
## S-5-PV Kit



Please note: All measurements are rounded to the second decimal place.



Listed to UL subject 2703.  
ETL Listed to UL 1703.



Patents pending.  
Due to the variety of attachment needs, S-5-PV Kits are sold separately from S-5! mini clamps. The S-5-PV Kit fits only S-5! mini clamps, NOT standard clamps.

### S-5! Warning! Please use this product responsibly!

Products are protected by multiple U.S. and foreign patents. Visit the website at [www.S-5.com](http://www.S-5.com) for complete information on patents and trademarks. For maximum holding strength, setscrews should be tensioned and re-tensioned as the seam material compresses. Clamp setscrew tension should be verified using a calibrated torque wrench between 160 and 180 inch pounds when used on 22ga steel, and between 130 and 150 inch pounds for all other metals and thinner gauges of steel. Consult the S-5! website at [www.S-5.com](http://www.S-5.com) for published data regarding holding strength.

Copyright 2011, Metal Roof Innovations, Ltd. S-5! products are patented protected. S-5! aggressively protects its patents, trademarks and copyrights.

Distributed by

Blue Pacific Solar<sup>™</sup>



[www.BluePacificSolar.com](http://www.BluePacificSolar.com)

