

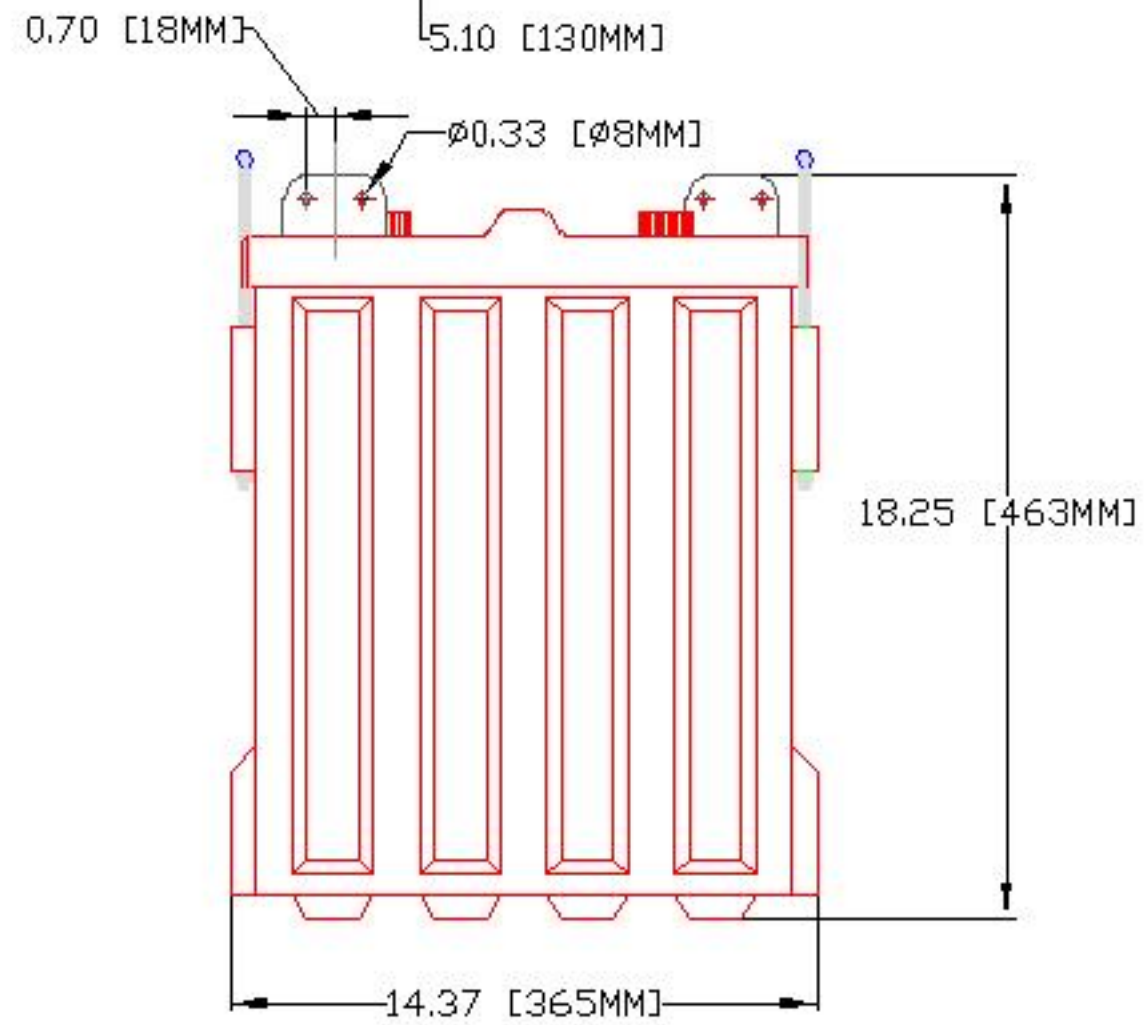
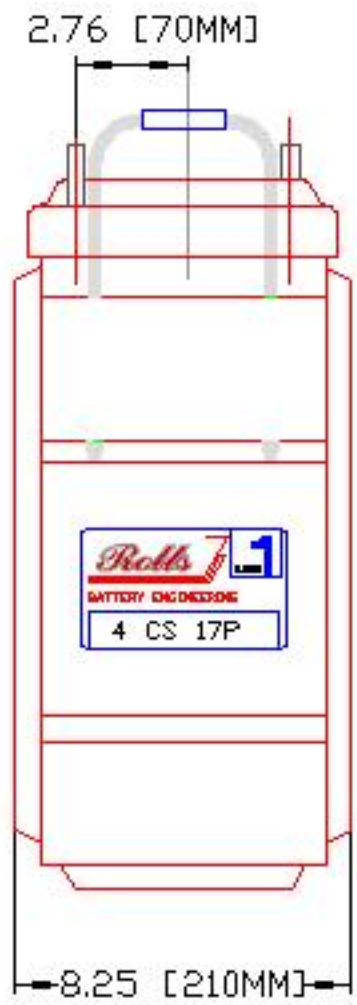
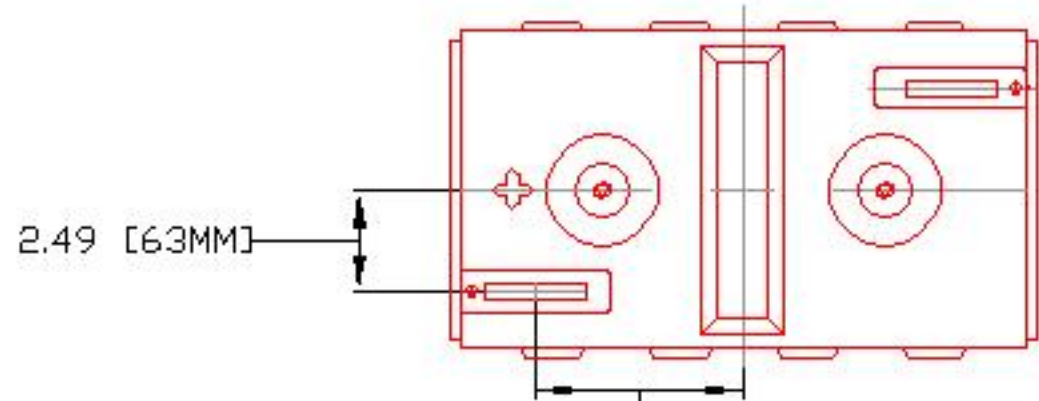


DEEP CYCLE-SOLAR SERIES 5000

| | | | |
|---|---|------------|----------------------------|
| BATTERY TYPE | VOLTS | 4 | 4 CS 17PS |
| DIMENSIONS | | | |
| LENGTH | 365 MM | 14 3/8 | INCHES |
| WIDTH | 210 MM | 8 1/4 | INCHES |
| HEIGHT | 464 MM | 18 1/4 | INCHES |
| WEIGHT DRY | 45 KG | 98 | LBS. |
| WEIGHT WET | 58 KG | 128 | LBS. |
| CONTAINER CONSTRUCTION | | | |
| INNER CONTAINER | POLYPROPYLENE | | |
| INNER COVER | POLYPROPYLENE - HEAT SEALED TO INNER CONTAINER | | |
| OUTER CONTAINER | HIGH DENSITY POLYETHYLENE | | |
| OUTER COVER | HIGH DENSITY POLYETHYLENE SNAP FIT TO OUTER CONTAINER | | |
| HANDLES | ROPE | | |
| PLATES PER CELL | 17 | | |
| ELECTROLYTE RESERVE ABOVE PLATES | 76 MM | 3 | INCHES |
| DESIGN CRITREA 10 YEAR WARRANTY | 3300 CYCLES | 15 | YEAR LIFE |
| POSITIVE PLATE DIMENSION | | | |
| HEIGHT | 273 MM | 10.75 | INCHES |
| WIDTH | 143 MM | 5.625 | INCHES |
| THICKNESS | 6.73 MM | 0.265 | INCHES |
| NEGATIVE PLATE DIMENSION | | | |
| HEIGHT | 273 MM | 10.75 | INCHES |
| WIDTH | 143 MM | 5.625 | INCHES |
| THICKNESS | 4.70 MM | 0.185 | INCHES |
| SEPARATOR | SEPARATOR THICKNESS | 0.105 | INCH |
| INSULATION | POSITIVE PLATE DOUBLE WRAPPED WITH 0.020 SLYVER HEAVY GLASS MAT | | |
| TERMINALS | FLAG WITH STAINLESS STEEL NUTS AND BOLTS | | |
| COLD CRANK | CCA 0°F / -17.8°C | 1689 | RESERVE |
| | MCA 32°F / 0°C | 2111 | MINUTES AT 25A 1083 |
| CAPACITY | 20 HR RATE | 546 | |
| | | CAP / AH | CURRENT / AMPS |
| CAPACITY AT THE 100 HOUR RATE | 1.265 SP. GR. | 770 | 7.70 |
| CAPACITY AT THE 72 HOUR RATE | 1.265 SP. GR. | 726 | 10.09 |
| CAPACITY AT THE 50 HOUR RATE | 1.265 SP. GR. | 672 | 13.43 |
| CAPACITY AT THE 24 HOUR RATE | 1.265 SP. GR. | 603 | 25.1 |
| CAPACITY AT THE 20 HOUR RATE | 1.265 SP. GR. | 546 | 27.3 |
| CAPACITY AT THE 15 HOUR RATE | 1.265 SP. GR. | 508 | 33.9 |
| CAPACITY AT THE 12 HOUR RATE | 1.265 SP. GR. | 475 | 39.6 |
| CAPACITY AT THE 10 HOUR RATE | 1.265 SP. GR. | 453 | 45.3 |
| CAPACITY AT THE 8 HOUR RATE | 1.265 SP. GR. | 426 | 53.2 |
| CAPACITY AT THE 6 HOUR RATE | 1.265 SP. GR. | 388 | 64.6 |
| CAPACITY AT THE 5 HOUR RATE | 1.265 SP. GR. | 366 | 73 |
| CAPACITY AT THE 4 HOUR RATE | 1.265 SP. GR. | 339 | 85 |
| CAPACITY AT THE 3 HOUR RATE | 1.265 SP. GR. | 306 | 102 |
| CAPACITY AT THE 2 HOUR RATE | 1.265 SP. GR. | 262 | 131 |
| CAPACITY AT THE 1 HOUR RATE | 1.265 SP. GR. | 186 | 186 |



PART NUMBER: 4-CS-17P
 WEIGHT WET: 128 LB / 58 KG
 WEIGHT DRY: 98 LB / 44 KG
 CAPACITY: 546 AH 20 HR
 770 AH 100 HR
 VOLTAGE: 4 V
 OVERALL DIMENSIONS: 143/8X8 1/4X18 1/4"
 MAX HEIGHT WITH OPTIONAL HYDROCAPS: 18.63"/473MM



BATTERY ENGINEERING SALEM, MASS

TITLE: 4CS17P

DESCRIPTION: 4V / E CELL 17 PLATE (CS) DEEP CYCLE 500/5000 SERIES

CONTACT INFO:
 WEB: WWW.ROLLSBATTERY.COM
 E-MAIL: SALES@ROLLSBATTERY.COM
 PHONE: 1-800-681-9914

SCALE: 1" = 6" 1" = 4" JPEG
 8.5" X 11" 11" X 17" NOT TO SCALE

Drawn by: S. WILES Approved By: D. SURRETTE

DATE: 1-AUG-00 REVISION 2.1

DRAWING NO.: DWG 027, BD4CS17P