



M I D N I T E S O L A R

MidNite Solar offers a range of PV Combiners from our MNPV3 to the MNPV16. This range of combiners accommodates PV systems as small as a two string off grid cabin up to 16 strings for a 100KW commercial grid tie inverter. The MNPV series of combiners are the result of 20 years of design and manufacturing experience in the renewable energy industry. Each unit has the same quality features such as:

- * Aluminum rainproof type 3R enclosure
- * Internal plastic injection molded dead front covers
- * Knock outs that accept waterproof strain reliefs, conduit or panel mount MC type connectors
- * Knock outs for lightning arrestors
- * Uses 150VDC & 300VDC breakers or 600VDC fuses depending on model number
- * ETL listed to UL1741 for use in the US and Canada
- * Adaptable for two separate inverters or charge controllers on certain models



MNPV 12-250



Configured for 300VDC breakers



Shown with deadfront & lid removed



Been mooned lately?

www.midnitesolar.com

PV Combiner: MNPV12-250

| Model | Max VDC | Max # of Input Circ. | PV Source Circuits | | | PV Output Circuits | | | Approved Mounting Orientation | Enclosure Type/Material | Listing |
|-------------|---------|----------------------|----------------------|---------|----------------|-----------------------|------------------------|----------------|-------------------------------|-------------------------|---------|
| | | | Max OCPD Rating Amps | OCPD | Wire Range AWG | Max # of Output Circ. | Max Cont. Current Amps | Wire Range AWG | | | |
| MNPV3 (LV) | 150 | 3 | 20 | CB 150V | 14-6 | 1 | 60 | 14-1/0 | 90 to 14° | 3R/Alum | UL1741 |
| MNPV3 (HV) | 600 | 2 | 20 | FUSE | 14-6 | 1 | 60 | 14-1/0 | 90 to 14° | 3R/Alum | UL1741 |
| MNPV6 (LV) | 150 | 6 | 20 | CB 150V | 14-6 | 2 | 120 | 14-1/0 | 90 to 14° | 3R/Alum | UL1741 |
| MNPV6 (HV) | 600 | 4 | 20 | FUSE | 14-6 | 2 | 80 | 14-1/0 | 90 to 14° | 3R/Alum | UL1741 |
| MNPV12 (LV) | 150 | 12 | 30 | CB 150V | 14-6 | 2 | 200 | 14-2/0 | 90 to 14° | 3R/Alum | UL1741 |
| MNPV12 (HV) | 600 | 10 | 30 | FUSE | 14-6 | 2 | 200 | 14-2/0 | 90 to 14° | 3R/Alum | UL1741 |
| MNPV12-250 | 300 | 6 | 50 | CB 300V | 14-6 | 2 | 168 | 14-2/0 | 90 to 14° | 3R/Alum | UL1741 |
| MNPV16 (HV) | 600 | 16 | 15 | FUSE | 14-6 | 1 | 240 | 250MCM | 90 to 14° | 3R/Alum | UL1741 |
| MNPV16-250 | 300 | 12 | 20 | CB 300V | 14-6 | 1 | 240 | 14-2/0 | 90 to 14° | 3R/Alum | UL1741 |

NOTE: All of the connections have a 90 deg C rating except the 2/0 positive lug that carries a 70 deg C rating. MidNite can supply 1/0 lugs to substitute in these cases where 90 deg C is required.

MNPV12-250 (For 200/300 VDC charge controllers)

Gray aluminum type 3R rainproof enclosure with insulating dead front, will accept six 300VDC breakers. Includes 15 position PV negative bus bar, 15 position ground bus bar, and two 168 amp Plus bus bars for breakers. Plus busbars can be combined for six strings or separated to support 2 high voltage charge controllers with 3 strings each. PV negative busbar is common when splitting the Plus bus bar into two systems. The MidNite Classic can use common PV negatives.

Breakers/fuse holders sold separately

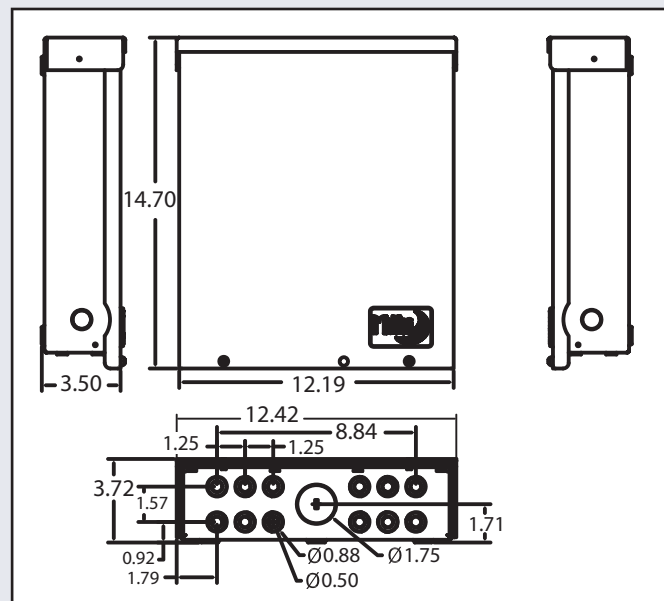
Boxed size: 16 x 14 x 5 Weight: 8 Lbs.

300VDC breakers are available from MidNite Solar up to 50 amps per string.

MidNite Solar also offers a dinrail mount 50 amp/300VDC DC-GFP for those controllers that require it.

NEC 2008 requires DC-GFP's on all PV systems

Touch safe fuse holders and fuses are not recommended for use with charge controllers as they may catch fire when opened under load.



ETL Listed for US & Canada



17722—67th Ave NE, Unit C, Arlington WA 98223

Ph 360.403.7207 Fax 360.691.6862

<http://www.midnitesolar.com>