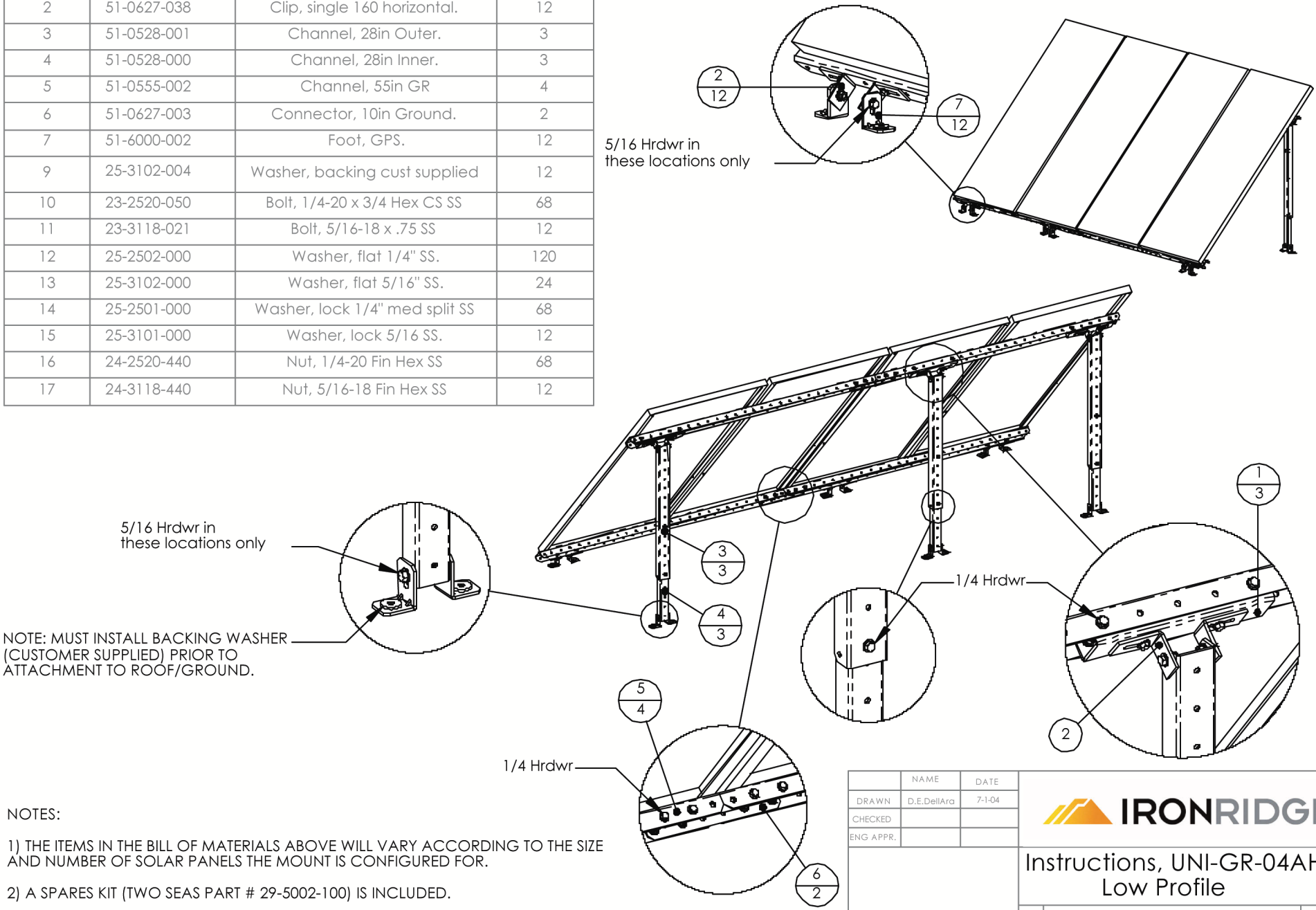


ITEM NO.	PART NUMBER	DESCRIPTION	QTY.
1	51-0627-031	Adapter, Vert - Horiz.	3
2	51-0627-038	Clip, single 160 horizontal.	12
3	51-0528-001	Channel, 28in Outer.	3
4	51-0528-000	Channel, 28in Inner.	3
5	51-0555-002	Channel, 55in GR	4
6	51-0627-003	Connector, 10in Ground.	2
7	51-6000-002	Foot, GPS.	12
9	25-3102-004	Washer, backing cust supplied	12
10	23-2520-050	Bolt, 1/4-20 x 3/4 Hex CS SS	68
11	23-3118-021	Bolt, 5/16-18 x .75 SS	12
12	25-2502-000	Washer, flat 1/4" SS.	120
13	25-3102-000	Washer, flat 5/16" SS.	24
14	25-2501-000	Washer, lock 1/4" med split SS	68
15	25-3101-000	Washer, lock 5/16 SS.	12
16	24-2520-440	Nut, 1/4-20 Fin Hex SS	68
17	24-3118-440	Nut, 5/16-18 Fin Hex SS	12

REVISIONS			
REV.	DESCRIPTION	DATE	APPROVED
A	Release for production	7-1-04	D.E.Dell'Ara



NOTE: MUST INSTALL BACKING WASHER (CUSTOMER SUPPLIED) PRIOR TO ATTACHMENT TO ROOF/GROUND.

- NOTES:
- 1) THE ITEMS IN THE BILL OF MATERIALS ABOVE WILL VARY ACCORDING TO THE SIZE AND NUMBER OF SOLAR PANELS THE MOUNT IS CONFIGURED FOR.
  - 2) A SPARES KIT (TWO SEAS PART # 29-5002-100) IS INCLUDED.

	NAME	DATE
DRAWN	D.E.Dell'Ara	7-1-04
CHECKED		
ENG APPR.		



Instructions, UNI-GR-04AH  
Low Profile

SIZE <b>A</b>	DWG. NO. 91-0400-006	REV. <b>A</b>
------------------	-------------------------	------------------

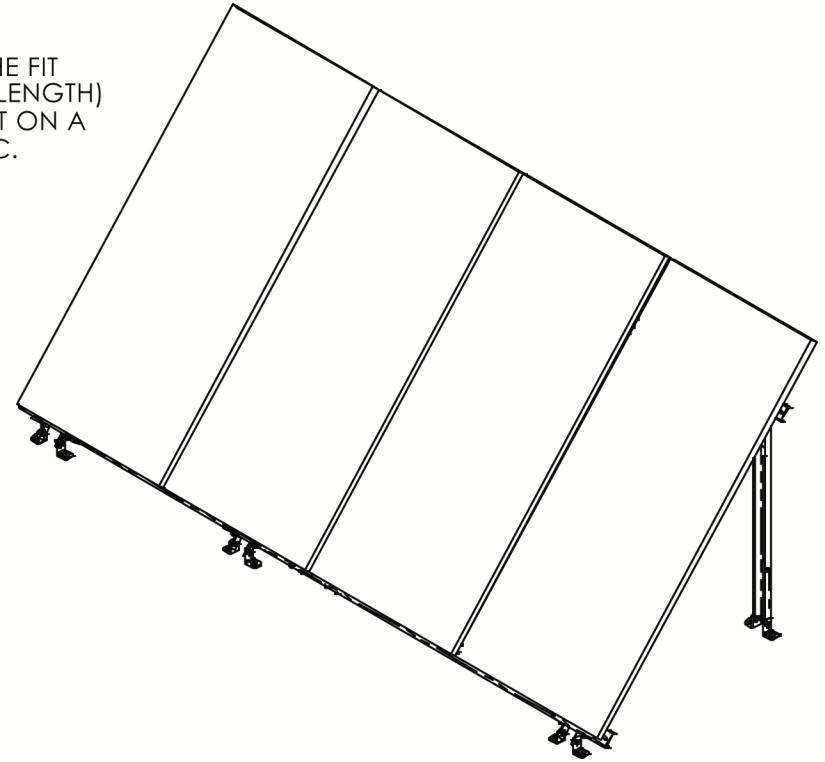
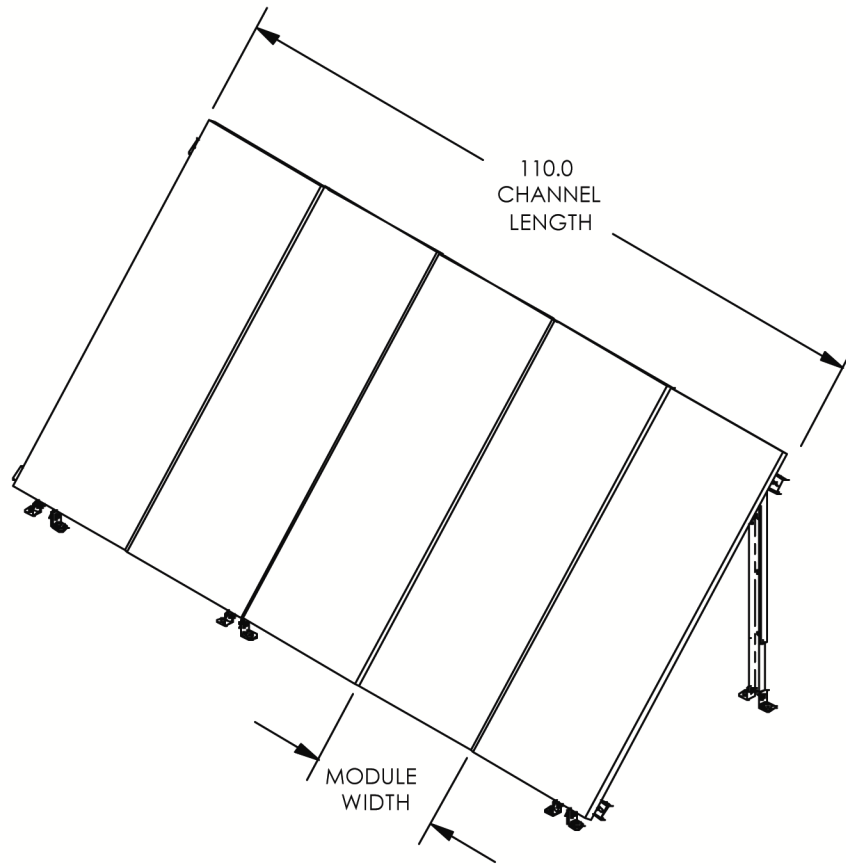
SCALE: 1:1 SHEET 1 OF 2

PROPRIETARY AND CONFIDENTIAL  
THE INFORMATION CONTAINED IN THIS DRAWING IS THE SOLE PROPERTY OF IRONRIDGE.  
ANY REPRODUCTION IN PART OR AS A WHOLE WITHOUT THE WRITTEN PERMISSION OF IRONRIDGE IS PROHIBITED.

DO NOT SCALE DRAWING

NOTE: OUR MOUNTS CAN HOLD A VARIETY OF DIFFERENT MODULE CONFIGURATIONS AS INDICATED ON THIS PAGE.  
 TO VERIFY FIT, DIVIDE THE CHANNEL (MODULE SUPPORT) LENGTH BY THE MODULE WIDTH. ALWAYS ALLOW 1-2 INCHES EXTRA CHANNEL LENGTH PER MODULE TO ALLOW FOR CLEARANCE BETWEEN MODULES, ETC.

IE: THIS MOUNT HAS A 110" CHANNEL (MODULE SUPPORT) LENGTH. TO CONFIRM THE FIT FOR A 25.7" WIDE MODULE (KYOCERAS FOR EXAMPLE) DIVIDE 110" (THE CHANNEL LENGTH) BY 25.7" (THE MODULE WIDTH) AND IT IS FOUND THAT (4) OF THE KYOCERAS WILL FIT ON A 110" CHANNEL WITH 7.2" EXTRA CHANNEL TO SPARE FOR MODULE CLEARANCE, ETC.



REVISIONS			
REV.	DESCRIPTION	DATE	APPROVED
A	Release for production	7-1-04	D.E.Dell'Ara

	NAME	DATE
DRAWN	D.E.Dell'Ara	7-1-04
CHECKED		
ENG APPR.		



Instructions, UNI-GR/04AH  
 Low Profile

SIZE <b>A</b>	DWG. NO. <b>91-0400-006</b>	REV. <b>A</b>
------------------	--------------------------------	------------------

SCALE: 1:1

SHEET 2 OF 2

**PROPRIETARY AND CONFIDENTIAL**

THE INFORMATION CONTAINED IN THIS DRAWING IS THE SOLE PROPERTY OF IRONRIDGE.  
 ANY REPRODUCTION IN PART OR AS A WHOLE WITHOUT THE WRITTEN PERMISSION OF IRONRIDGE IS PROHIBITED.

DO NOT SCALE DRAWING