

9T6 SERIES

- ✓ High-performance solar modules offering higher efficiency, lower installation costs
- ✓ 96 high-quality mono-crystalline cells per module
- ✓ Tested to UL 1703 and CEC with a Class C fire rating
- ✓ 25-year linear performance warranty
- ✓ Manufactured end-to-end in Milwaukee, Wisconsin (USA) using Helios Solar Works advanced, automated platform

Helios Solar Works manufactures high-performance mono-crystalline solar modules for solar electric systems. We use only high-quality components and an advanced, automated manufacturing platform to offer modules that deliver higher efficiency, lower installation costs, and a smaller system footprint.

Helios Solar Works is headquartered in Milwaukee, Wisconsin. We manufacture our modules using materials sourced from regional and U.S. suppliers whenever possible.

CATEGORY

Mono-crystalline Solar (96 Cell)

CHARACTERISTICS

Dimension: 1,976 mm x 1,310 mm
(77.8" x 51.57")

Area: 2.58 m² (27.77 Sq Ft)

Thickness: 40 mm (1.58")

Weight: 34.02 kg (75 lbs)

OUTPUT CLASSES

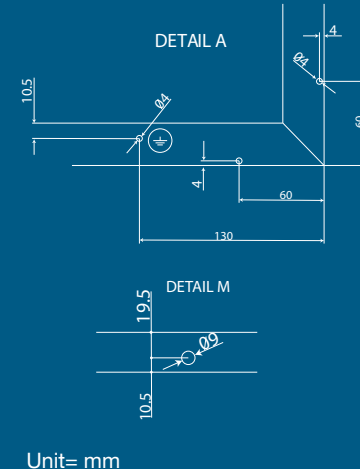
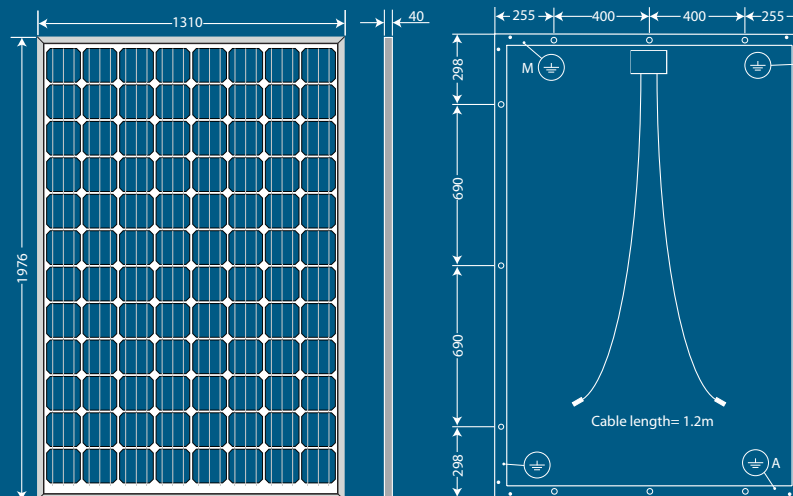
420, 415, 410, 405, 400, 395, 390

WARRANTY

25-year linear performance warranty
&
10-year workmanship warranty



9T6 SERIES



Unit= mm

ELECTRICAL DATA STC

	9T6 420	9T6 415	9T6 410	9T6 405	9T6 400	9T6 395	9T6 390
Rated Power PMPP (W)	= 420	415	410	405	400	395	390
MPP Voltage (V)	= 49.53	49.23	48.98	48.68	48.43	48.17	47.91
MPP Current (A)	= 8.48	8.43	8.37	8.32	8.26	8.2	8.14
Open Circuit Voltage (V)	= 60.55	60.40	60.25	60	59.8	59.5	59.3
Short Circuit Current (A)	= 9	8.95	8.9	8.86	8.82	8.67	8.62
Module Efficiency (%)	= 16.23	16.03	15.84	15.65	15.45	15.26	15.07

Measured at (STC) Standard Test Conditions 25° C, insolation 1,000 W/m², AM 1.5.

ELECTRICAL DATA NOCT

	9T6 420	9T6 415	9T6 410	9T6 405	9T6 400	9T6 395	9T6 390
Rated Power PMPP (W)	= 320	315	310	305	300	295	291
MPP Voltage (V)	= 45.78	45.59	45.35	45.15	44.96	44.79	44.59
MPP Current (A)	= 6.99	6.91	6.83	6.75	6.67	6.59	6.51
Open Circuit Voltage (V)	= 56.20	55.98	55.77	55.54	55.31	55.08	54.93
Short Circuit Current (A)	= 7.42	7.35	7.28	7.21	7.14	7.05	6.96

Nominal Operating Cell Temperature (NOCT) values are typical values, 45°C.

Typical cell temperature: insolation 800W/m², ambient temperature 20°C, wind speed 1m/s.

OTHER ELECTRICAL PARAMETERS

System Voltage (V)	= 600/1,000	Temp. Coefficient PMPP (% / °C)	= -0.41
Temp. Coefficient ISC (% / °C)	= 0.03	Temp. Coefficient VOC (% / °C)	= -0.32

DESIGN

Cells	= 96 mono-crystalline, 3 bus bars	Backside	= Multilayer sheet
Cell Dimensions	= 156 mm x 156 mm, pseudo-square	Frame	= Anodized aluminum (clear or black)
Front glass	= 4 mm solar glass, highly transparent and anti-reflective	Connection	= 2 x 1.2 m solar cables with MC4 connectors or compatible
Encapsulation	= EVA - Solar Cells - EVA	Bypass Diodes	= 4 pieces

LIMIT VALUES

Module Temperature -40°C to +80°C
Wind Load 2400 Pa | Snow Load 5400 Pa

QUALIFICATIONS

IEC 61215, IEC 61730, UL1703, CEC, FSEC, ULC/ORD-C1703-01, TÜV NORD, CEC

WARRANTY

25 year linear performance warranty. Also 10 years workmanship.

PERFORMANCE OUTPUT

-0/+3 percent