

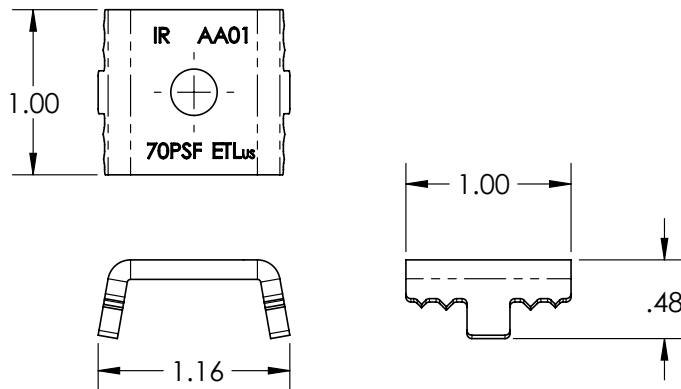
Kit, 4pcs, Grounding Mid Clamp

Item Number	Component	Qty in Kit
1	Clamp, Grounding Mid	4
2	Bolt, T Cstm 1/4-20	4
3	Nut, Flange Hex 1/4-20 SST	4

Kit, 4pcs, Grounding Mid Clamp

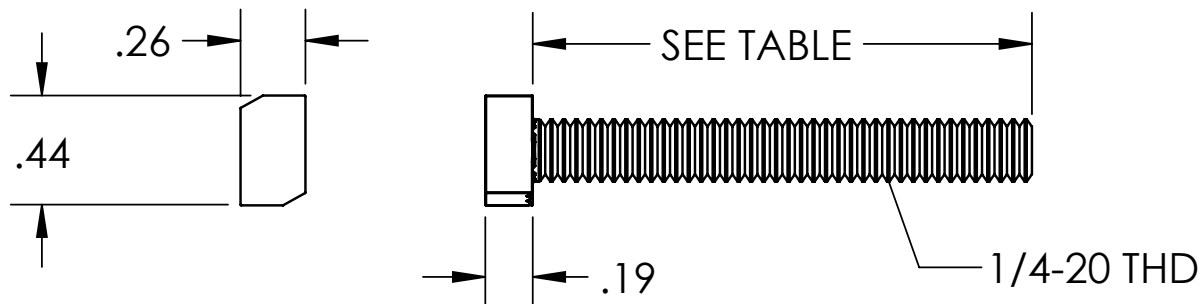
Clear Part Number	Black Part Number	Description / Length	Bolt Length
RS-GD-MCL-200	RS-GD-MCL-200B	Kit, 4pcs, Grounding Mid Clamp 2.00"	2.00"
RS-GD-MCL-225	RS-GD-MCL-225B	Kit, 4pcs, Grounding Mid Clamp 2.25"	2.25"
RS-GD-MCL-250	RS-GD-MCL-250B	Kit, 4pcs, Grounding Mid Clamp 2.50"	2.50"
RS-GD-MCL-275	RS-GD-MCL-275B	Kit, 4pcs, Grounding Mid Clamp 2.75"	2.75"

1) Integrated Grounding Mid Clamp



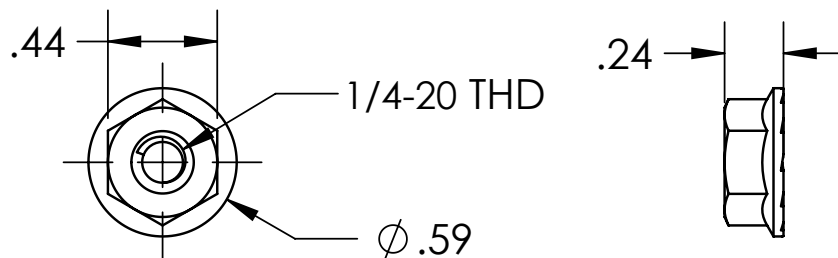
Property	Value
Material	300 Series Stainless Steel
Finish	CLEAR

2) Bolt, T Cstm 1/4-20



Property	Value
Material	300 Series Stainless Steel
Finish	Clear

3) Nut, Flange Hex 1/4-20 SST



Property	Value
Material	300 Series Stainless Steel
Finish	Clear